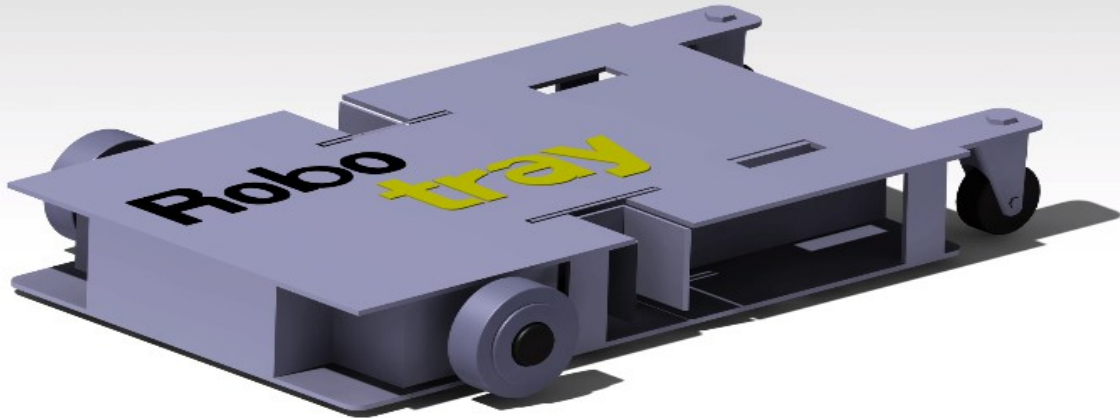




ROBOCART (AGV)

Automated Guided Vehicle



SPECIFICATIONS:

- Move racks and carts through out your plant
- Low profile: engages racks from underneath
- Wireless transmission of performance data
- Magnetic tape route. (Optional indoor GPS)
- Precise steering. Electromagnetic braking
- Obstacle sensor (Sonar). Audible alarms & lights
- Remote access, email/text messaging of alerts
- Color HMI Touchscreen, multilingual menus

BENEFITS:

- Eliminate Labor
- Reduce workmans' comp costs
- Prevent employee litigation expenses
- Increase production. Higher run rates
- Compact. Space saving designs
- Flexible. Expandable capabilities
- Open Frame. Easy to clean & maintain
- Fast Payback. ROI of 18 months

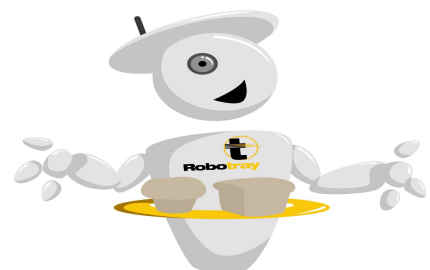
MODELS:

A) Base system

- 1 vehicle
- Battery charger

B) Expanded system

- 2 vehicles
- Battery charger and controller



www.robotray.com

15625 NW 15 Avenue
PHONE +1.305.216.8392

Miami, FL 33169
FAX +1.305.626.9189

USA
info@robotray.com